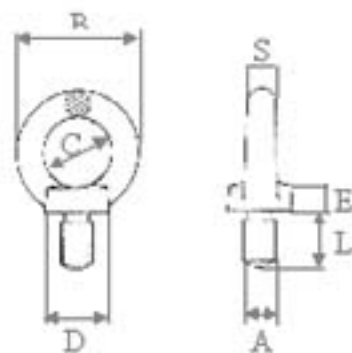


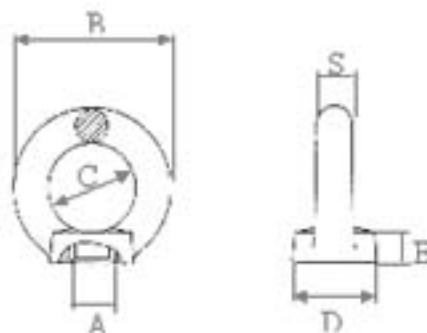
ANNEAUX DE LEVAGE INOX



Reference	A mm	B mm	C mm	D mm	E mm	L mm	S mm	Poids kg
ALMAL 108	8	36	20	20	6	13	8	0.060
ALMAL 110	10	45	25	25	8	17	10	0.115
ALMAL 112	12	54	30	30	10	20.5	12	0.190
ALMAL 114	14	54	30	30	10	20.5	12	0.190
ALMAL 116	16	63	35	35	12	27	14	0.280
ALMAL 120	20	72	40	40	14	30	16	0.450

ANNEAUX DE LEVAGE MALES INOX DIN 580 A2 AISI 316

Reference	A mm	B mm	C mm	D mm	E mm	S mm	Poids kg
ALFEM 108	8	36	20	20	8.5	8	0.051
ALFEM 110	10	45	25	25	10	10	0.091
ALFEM 112	12	54	30	30	11	12	0.159
ALFEM 114	14	54	30	30	11	12	0.164
ALFEM 116	16	63	35	35	13	14	0.253
ALFEM 120	20	72	40	40	16	16	0.379
ALFEM 124	24	90	50	50	20	20	0.720



ANNEAUX DE LEVAGE FEMELLES INOX DIN 582 A2 AISI 316