

Technical Information

No. FO 5195 - subject to change without notice

Edition: 02/2005

Supersedes: 11/2004

Status: valid

Metal Halide Short Arc Lamp

SharXS® HTI® 700 W/D4/75

■ Product description

The OSRAM SharXS® HTI® 700 W/D4/75 is a compact double-ended ('D') metal halide lamp of the new SharXS® family with 7500K. By the extra short arc of 4 mm ('4'), this lamp has a very high luminance and provides a high output for intelligent entertainment lighting. The "eXtreme Seal" technology enables higher pinch temperatures up to max. 450°C. Being doubled-ended (with pre-focus base) the lamp is suitable for hot restart.

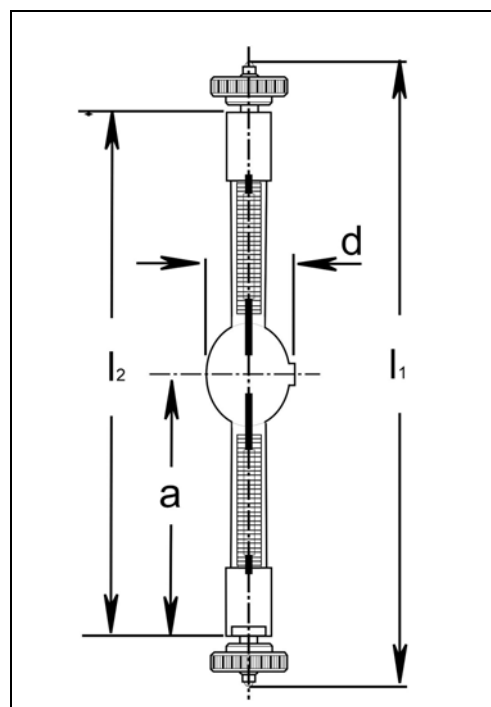


■ Technical data *

Order reference	SharXS®	HTI® 700 W/D4/75
Rated lamp wattage	W	700
Rated lamp voltage	V	70 / 73
Rated lamp current (ECG/MCG)**	A	10.0 / 11.0
Ignition voltage (cold/hot)	kV _s	3 / 25
Luminous flux	lm	59,000
Average Luminance	cd/cm ²	60,000
Color temperature	K	7,500
Color rendering index CRI		> 85
Light arc length (cold)	mm	4
Lamp length (overall) I ₁	mm	max. 136
Lamp length I ₂	mm	115 ± 1
Diameter bulb d	mm	max. 18
LCL a	mm	57.5 ± 1
Average service life	h	750
Base (pre-focus)		SFc-10-4 with notch

* Data are average values if no tolerance is listed

** ECG = electronic control gear / MCG = magnetic/conventional control gear



■ Lamp operation

Maximum permissible base temperature	°C	450 / with eXtreme Seal Technology (measured on Moly-foil/pinch)
Cooling		Forced cooling / fan
Burning position		Any

The SharXS® HTI® 700W/D4/75 could be operated on electronic ballasts (ECG) and magnetic ballasts.

■ Manufacturers of igniters and control gear (not all officially approved by OSRAM)

Igniters:	Schiederwerk, Mitronic
ECGs:	Schiederwerk EVG 7, PVG 7; Mitronic
Ballasts:	ERC 686 720/4, ERC 686 720/10

Please note: this list is not exhaustive.