



evolution wired e 914



The e 914 is a high grade condenser microphone for very demanding applications. Its outstanding sound properties qualify the e 914 for highly sophisticated tasks.

The e 914 is a perfect microphone for ambitious recordings and live performances. Its main areas of application are acoustic guitars, cymbals, percussion, overhead, orchestras, grand pianos etc.

SPECIFICATIONS

Transducer principle	pre-polarised condenser microphone
Frequency response	20 - 20,000 Hz
Pick-up pattern	cardioid
Sensitivity (free field, at 1 kHz)	7 mV/Pa
with pre-attenuation	2.3 mV/Pa / 0.7 mV/Pa
Nominal impedance (at 1 kHz)	100 Ω
Min. terminating impedance	1 k Ω
Max. sound pressure level (at 1 kHz)	137/147/157 dB SPL (depending on pre-attenuation)
Equivalent noise level	
A-weighted (DIN IEC 651)	19 dB(A)
CCIR-weighted (CCIR 468-3)	30 dB
Pre-attenuation	0 dB, -10 dB, -20 dB
Bassfilter	linear roll-off 130 Hz, 6 dB/oct. cut-off 85 Hz, 18 dB/oct.
Phantom powering	48 V / 2.2 mA
Connector	XLR-3
Dimensions	\varnothing 24 x 157 mm
Weight	198 g

DELIVERY INCLUDES

- e 914
- pouch
- MZQ 800 microphone clamp
- MZW 64 windshield
- quick guide
- safety guide

FEATURES

- Exceptionally lively, clear sound
- Three-position sensitivity switch
- Three-position bass roll-off/cut-off switch
- Very high sound pressure handling capability
- Exchangeable capsule
- Excellent directivity across the whole frequency range
- Wide frequency response

ARCHITECT'S SPECIFICATION

The microphone shall be a cardioid prepolarized condenser designed for ambitious recordings and live performances.

It shall be fitted with a three-position sensitivity switch (0 dB, -10 dB, -20 dB) and a three-position bass roll-off/cut-off switch (roll-off: 130 Hz with 6 dB/octave, cut-off: 85 Hz with 18 dB/octave).

The frequency response shall be 20 Hz – 20,000 Hz and the sensitivity (free field, no load) shall be 7 mV/P at 1 kHz. Nominal impedance shall be 100 Ω , with a min. terminating impedance of 1 k Ω . Equivalent noise level shall be 19 dB(A). Maximum SPL at 1 kHz shall be 137 dB with 0 dB preattenuation, 147 dB with -10 dB preattenuation or 157 dB with -20 dB preattenuation.

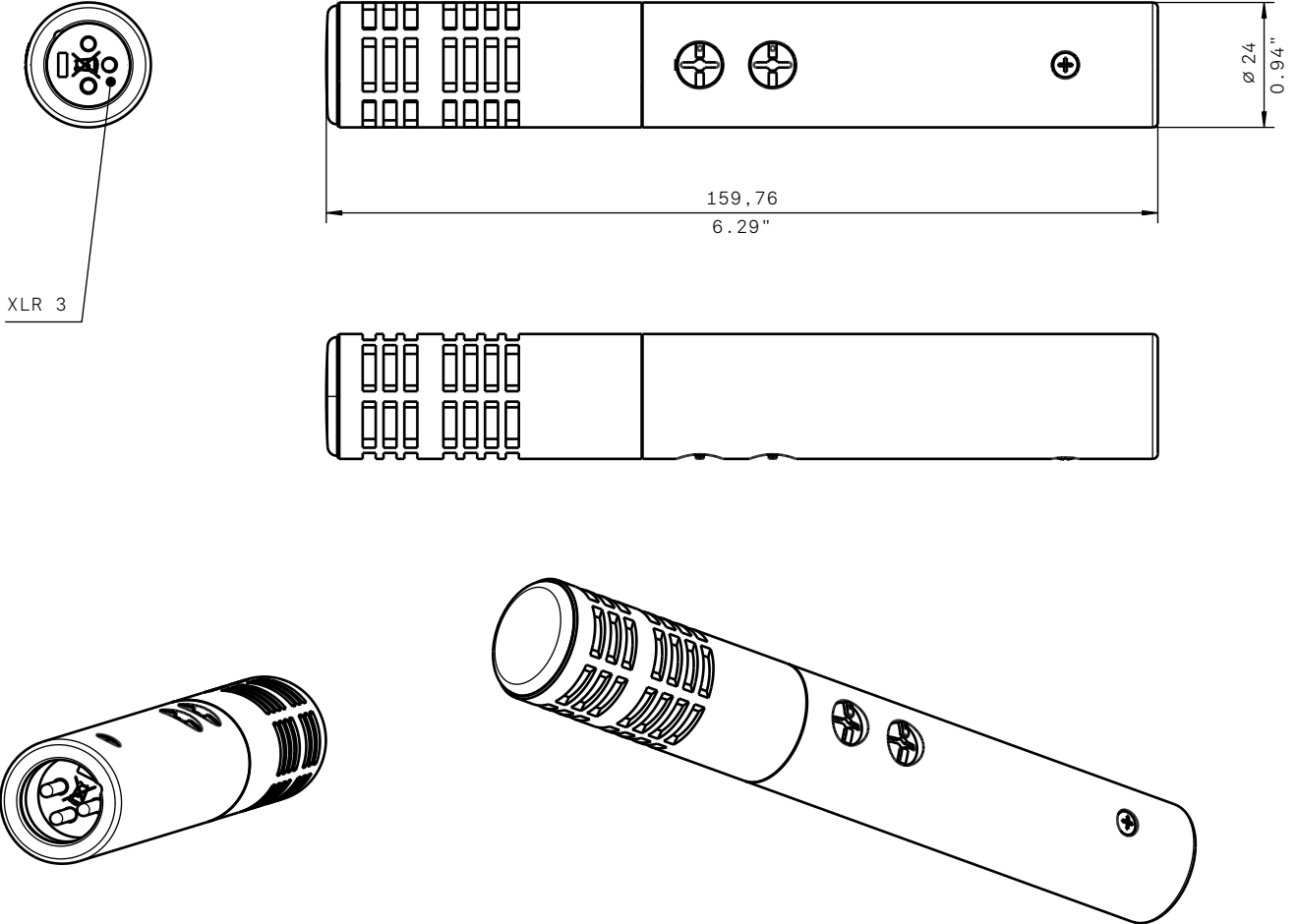
The microphone shall operate on 48 V phantom power and shall provide a 3-pin XLR connector. Dimensions shall be 24 x 157 mm (0.94" x 6.18"). Weight shall be 198 grams (6.98 oz).

The microphone shall be the Sennheiser e 914.

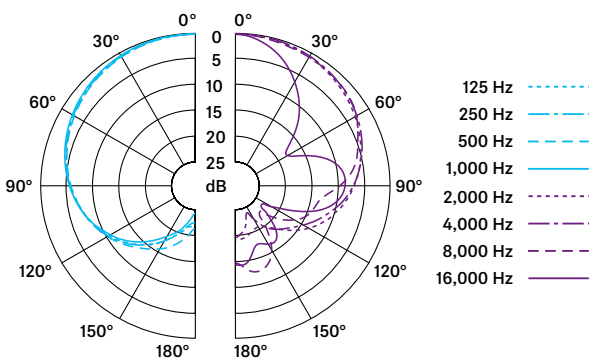


evolution wired e 914

DIMENSIONS



POLAR PATTERN



FREQUENCY RESPONSE

