



KWP50Q65

50W Wall Pack Bulkhead, IP65, 40000hrs w/ Microwave Sensor Option



Product Overview

Kosnic's LED Wall Pack Bulkhead offers a low maintenance and robust solution to external lighting for commercial and industrial buildings in applications such as perimeter lighting, pedestrian lighting and vehicle access area lighting. The bulkhead is available with a built-in dusk to dawn sensor that can be set to keep the light on below a range of ambient light levels. It has a metal base, a polycarbonate opal diffuser and is IP65 rated.

Features

Class I

IP65

Dusk to dawn sensor option

2 x 20mm side knockouts

High lumen output

Long life of 40,000h

Instant start

Negligible UV output

Mercury free

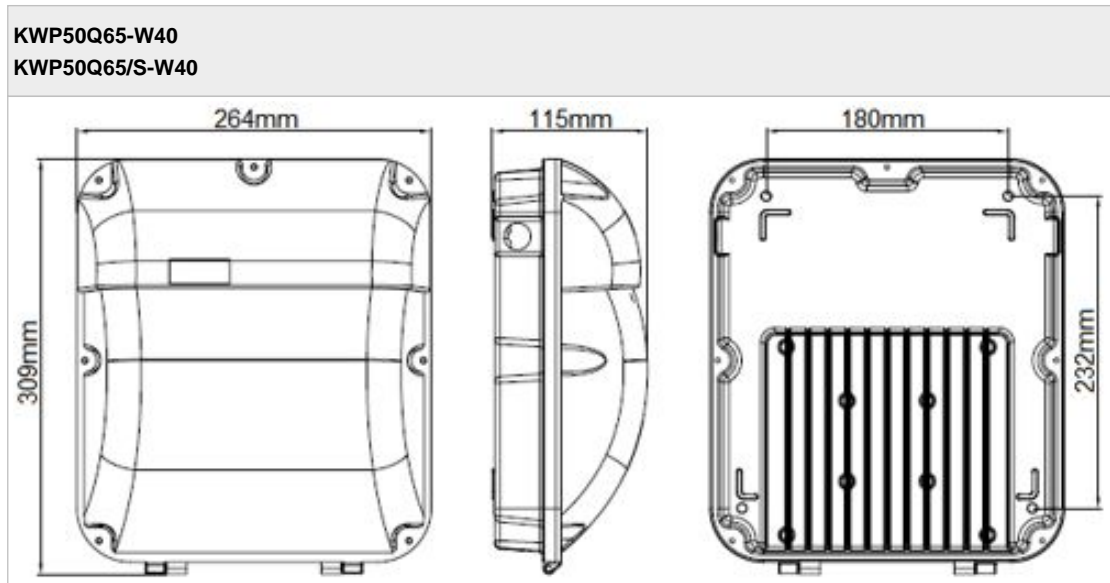
Specifications

	KWP50Q65-W40	KWP50Q65/S-W40
Shape / Type	Bulkhead	Bulkhead
Colour Finish	Black	Black
Diffuser	White opal diffuser	White opal diffuser
Power (W)	50	50
Total Lumens (lm)	4400	4400
Input Current (mA)	226	242
Input Voltage	220-240Vac 50-60Hz	220-240Vac 50-60Hz
CCT Temperature (k)	4000	4000
CCT Name	Cool White	Cool White
Rated Life (hrs)	40000	40000
Switch Cycles	50000	50000
CRI	84	84
Dimmable	No	Dusk to Dawn Function
Power Factor	0.96	0.90
IP Rating	IP65	IP65
Class Protection	Class I	Class I
Start Time (s)	0.10	0.10
Warm-up Time (s)	Instant full light	Instant full light
Length (mm)	309	309
Width (mm)	264	264
Depth (mm)	115	115
Mercury (mg)	0	0
LMF at Lifetime	0.75	0.75

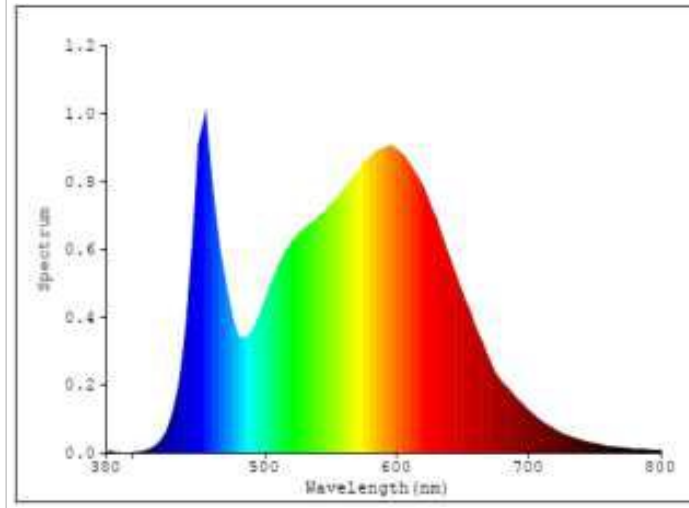
Ambient Temperature (°C)	-20 to 40	-20 to 40
Dusk to Dawn Sensor	No	Yes
Ambient Light Switch On Level (lux)	-	5 - 200 (or disabled)
Barcode	5060063424279	5060063425986

Packaging

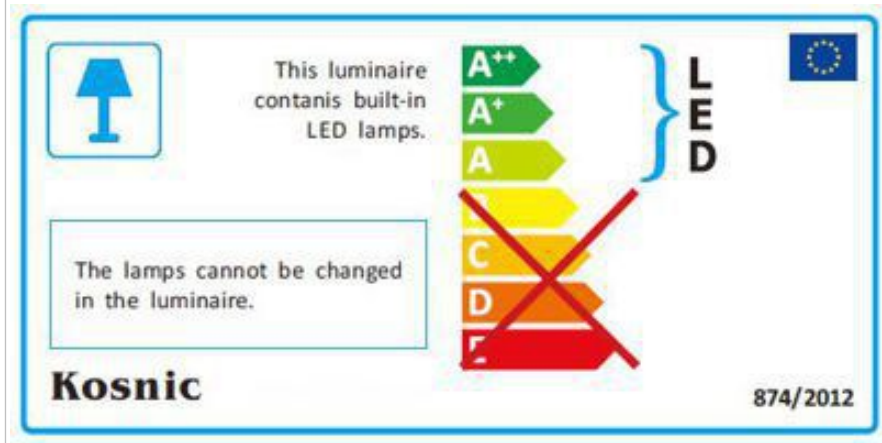
	KWP50Q65-W40	KWP50Q65/S-W40
Outer Box Length (mm)	600	600
Outer Box Width (mm)	320	320
Outer Box Height (mm)	400	400
Volume	0.0768	0.0768
Box Quantity	6	6
Outer Box Weight (kg)	10	12



KWP50Q65-W40
KWP50Q65/S-W40



KWP50Q65-W40
KWP50Q65/S-W40



Datasheet generated from <http://www.electrika.com> last updated Tuesday, May 15, 2018 11:27:44 AM