

Technical Information

No. FO 4284

Edition: 04/02 - subject to change

supersedes: 09/90

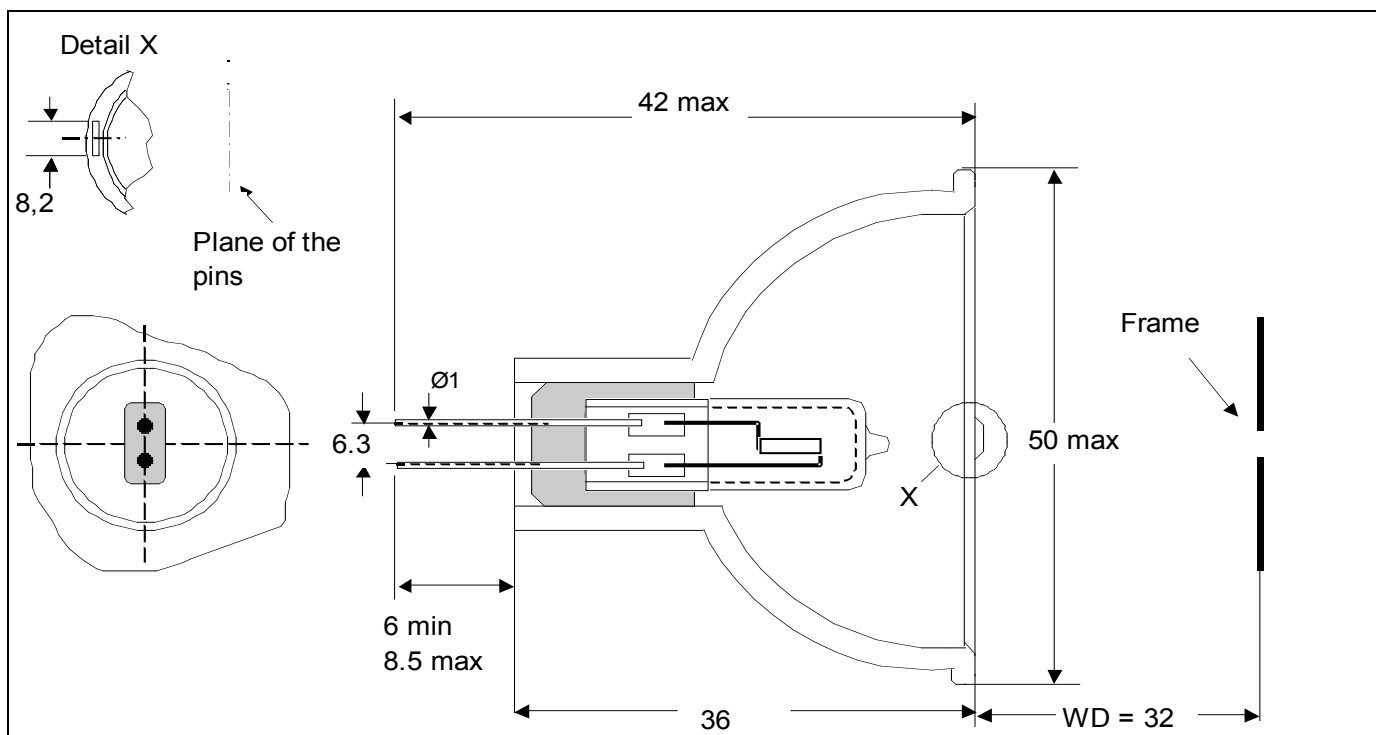
Status: valid

Halogen Reflector Lamp

64637

■ Product description

The OSRAM 64637 belongs to the group of the tungsten halogen low voltage lamps and is equipped with a cold light reflector of type MR16. The 64637 generally is used in the medical application field, especially for dental curing.



■ Technical data

Order reference	64637
ANSI	-
LIF	A1/271
Voltage	V 12
Rated wattage	W 100
Total light output	lm 120 min.
Type of reflector	Ellipsoidal dichroic mirror
Reflector diameter	mm 50 max./49,4 min.
Recommended working distance	mm ≈ 32 (WD)
Overall length l_1	mm 42 max.

Technical Information

No. FO 4284

Edition: 04/02 - subject to change

supersedes: 09/90

Status: valid

Halogen Reflector Lamp

64637

Overall length l_2	mm	36 max.
----------------------	----	---------

Average service life ²⁾	h	1500
------------------------------------	---	------

Base		GZ6.35
------	--	--------

■ Required conditions of operation

Burning position		P30
------------------	--	-----

Maximum permissible seal temperature	°C	350
--------------------------------------	----	-----

Cooling		if necessary
---------	--	--------------

¹⁾ 50 % survival rate